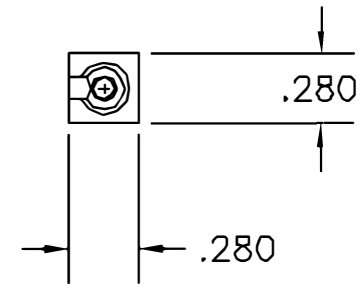
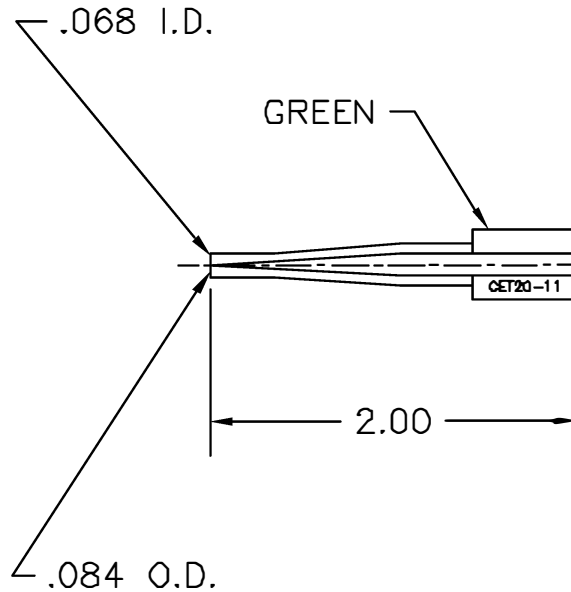



**UNCONTROLLED DOCUMENT  
WILL NOT BE UPDATED**

REVISIONS				
REV. SYM.	E.C.O. NUMBER	DESCRIPTION	BY DATE	APP'D DATE
1		ORIGINAL RELEASE	JWJ 1/25/01	RRR 1/25/01



<p><b>RESTRICTED &amp; CONFIDENTIAL</b></p> <p>CONFIDENTIAL PROPERTY OF DANIELS MANUFACTURING CORP. NOT TO BE DISCLOSED TO OTHERS, REPRODUCED OR USED FOR ANY OTHER PURPOSE, EXCEPT AS AUTHORIZED IN WRITING BY DANIELS MANUFACTURING. MUST BE RETURNED TO DANIELS MANUFACTURING CORP. ON COMPLETION OF ORDER OR OTHER PURPOSE FOR WHICH LENT.</p>	MATERIAL	ITEM	PART NO.	QTY.	DESCRIPTION/REMARKS		
	MEAT TREAT	DRN.	J. JOYCE	DATE	1/25/01	 DANIELS MANUFACTURING CORP. ORLANDO, FLORIDA CAGE 11851	
		CHK'D.	RRR	DATE	1/25/01		
	FINISH	APP'D.	DATE	TITLE			
APP'D.		DATE	REMOVAL TOOL ENVELOPE DRAWING				
DO NOT SCALE DRAWING	WHERE USED:		SIZE	SCALE	CAD P/N	SHEET	OF
			A	NTS	CET20-11-ENV	1	1
			POSTING	P/N	CET20-11-ENV		REV.
							1